

PAGE[®]

INCORPORATED

Rework and Repair Systems

Desoldering Systems

Specialty Systems

Work Accessories

Materials, Tools and Aids

Training Services and Programs

PRICE BOOK

**EQUIPMENT, REPLACEMENT PARTS,
TRAINING PROGRAMS, AND SERVICES**

TERMS AND CONDITIONS OF SALE

Effective Date: March 1, 1989

1. Terms:

Export—Irrevocable Letter of Credit. Customer to Pay all Charges.
Domestic—Net 30 days on Rated Accounts.

2. Minimum Order:

Export—\$100.00 per destination.
Domestic—\$100.00 per destination.
Government—\$50.00 per destination.

3. Preservation, Packing, Packaging and Marking:

PACE Standard Commercial or Standard Export.

4. Shipping

F.O.B. Point—Laurel, Maryland, USA
All shipments will be insured unless otherwise specified.
Export shipments will be made via Air Freight—freight and insurance charges collect.

5. Prices

Prices and specifications are subject to change without notice.
Prices are Manufacturer's suggested list price.

ALL PRICES ARE IN ACCORDANCE WITH PACE'S TERMS AND CONDITIONS OF SALE.

TABLE OF CONTENTS

Page No.

Equipment, Quick-Reference Price Guide	3
Spare Parts, Quick-Reference Price Guide	4
Desoldering and Soldering Systems/Stations	5-11
MBT-200 MicroBenchTop™ Desoldering/Soldering System	5
MBT-100 MicroBenchTop™ Desoldering System	5
MBT-10 Desoldering/Soldering Station (Air-Operated)	7
MBT-5 Desoldering Station (Air-Operated)	7
MP-1 Micro™ Portable Desoldering System	8
MBT-210 Digital Desoldering/Soldering System	9
SX-214A PED-A-VAC™ Desoldering/Soldering Station	11
SX-213A PED-A-VAC™ Desoldering Station	11
Rework and Repair Systems	13-18
PRC-151 Bench Top Repair System	13
PRC-351 Bench Top Rework and Repair System	15
PRC-750A Rework, Repair, and Manufacturing System	17
PRC-1000A Rework, Repair, and Manufacturing System	17
CRAFT®-25 System	19-20
CRAFT®-15 System	19-20
Specialty Systems	21-24
PPF-40 FuseSet™ System	21
PEP-220 SwaPlating™ System (with power supply)	23
SMR-25 Pulse-Heat SMD Reflow System	24
SMR-20 Pulse-Heat SMD Reflow System, Economy Version	24
PPS-30 Power Source	24
Work Accessories	25-33
Sodr-X-Tractors®	25
TS-15 StripTweez® Wire Stripper	29
TW-15 ResisTweez®, Resistance Heating	29
CT-15 ConducTweez®, Conductive Heating	29
LS-15 LapFlo®, Soldering	30
TP-15 ThermoPart®, Heating Probe	30
Soldering Irons	30
HP-150 Environmental Probe	31
VT-100 Vacuum Cleaning and Handling Unit	31
SU-101 Spray Unit	31
PE-210 SwaPlating™/Gold Plating System (without power supply)	32
PM-181 Minichine®	33
PM-166 Minichine®	33
Materials, Tools, and Aids	35-40
Cir-Kit® <i>Master</i> Version	35
Cir-Kit® <i>Advanced</i> Version	35
Cir-Kit® <i>Basic</i> Version	35
Eyelets and Funnelets	37
POL-15 Optical Lighting System	38
POL-12 Optical Lighting System	38
WP-6 Work Handling Unit	38
T-450 Special Aids Kit	39
T-400 Tools Kit	39
Hand Tools	40
Training Services and Programs	41-46
Basic Soldering Course, self-contained program	41
Rework and Repair Course, self-contained program	42
Multilayer Repair Course, self-contained program	43
Film Leasing Programs	44
Contract Training Services	45
Training Kits and Aids	46

EQUIPMENT QUICK-REFERENCE PRICE GUIDE

Effective Date:
March 1, 1989

Model Type and Description		Part Number	Unit Price
Desoldering and Soldering Systems			
MBT-210	Digital Desoldering/Soldering System	8007-0113	\$ 875.00
MBT-200	Desoldering/Soldering System	8007-0094	540.00
MBT-100	Desoldering System	8007-0093	425.00
MBT-10	Desoldering/Soldering Station (Air-Operated)	8007-0115	495.00
MBT-5	Desoldering Station (Air-Operated)	8007-0108	395.00
MP-1	Portable Desoldering System	8007-0087	450.00
SX-214A	PED-A-VAC™ Desoldering/Soldering Station	8007-0120	395.00
SX-213A	PED-A-VAC™ Desoldering Station	8007-0119	295.00
Rework and Repair Systems			
PRC-151	Bench Top Repair System	8007-0118	1475.00
PRC-351	Bench Top Rework and Repair System	8001-0042	3975.00
PRC-750A	Rework, Repair, and Manufacturing System	8001-0006	5550.00
PRC-1000A	Rework, Repair, and Manufacturing System	8001-0007	6250.00
Specialty Systems			
FFP-40	FuseSet™ System (with integral power supply)	8004-0001	1275.00
PEP-220	SwaPlating™ System (includes power supply)	7003-0003	650.00
SMR-25	Pulse-Heat SMD Reflow System	8042-0003	695.00
SMR-20	Pulse-Heat SMD Reflow System, Economy Version	8042-0001	495.00
PPS-30	Power Source	7008-0172	325.00
Work Accessories			
SX-25	Dual-Path Sodr-X-Tractor®	7010-0025	99.00
SX-25V	Dual-Path Sodr-X-Tractor® (finger-valve)	7010-0026	99.00
SX-55	MBT Sodr-X-Tractor®	6010-0054	138.00
PM-181	Minichine® (Blade Type)	7005-0010	145.00
PM-166	Minichine® (Tang Type)	7005-0011	145.00
TS-15	StripTweez® Wire Stripper	7012-0002	99.00
TW-15	ResisTweez® Resistance Heating	7009-0005	98.00
CT-15	ConducTweez® Conductive Heating	7020-0001	110.00
LS-15	LapFlo® Soldering	7022-0003	86.00
TP-15	ThermoPart® Heating Probe	7013-0004	84.00
HP-150	Environmental Probe	7002-0001	125.00
VT-100	Vacuum Cleaning & Handling Unit	7014-0001	48.00
SU-101	Spray Unit	7011-0001	135.00
PE-210	SwaPlating™/Gold Plating Kit	7003-0002	425.00
Materials, Tools, and Aids			
CIR-KIT®	Master Version	6993-0082	149.00
CIR-KIT®	Advanced Version	6993-0077	79.00
CIR-KIT®	Basic Version	6993-0037	45.00
WP-6	Work Handling Unit	7015-0009	250.00
POL-15	Optical Lighting System	7007-0004	325.00
POL-12	Optical Lighting System	7007-0006	300.00

ALL PRICES ARE IN ACCORDANCE WITH PACE'S TERMS AND CONDITIONS OF SALE.

SPARE PARTS QUICK-REFERENCE GUIDE

SX-25 AND SX-20 SODR-X-TRACTOR® PARTS AND TIPS

Effective Date: March 1, 1989

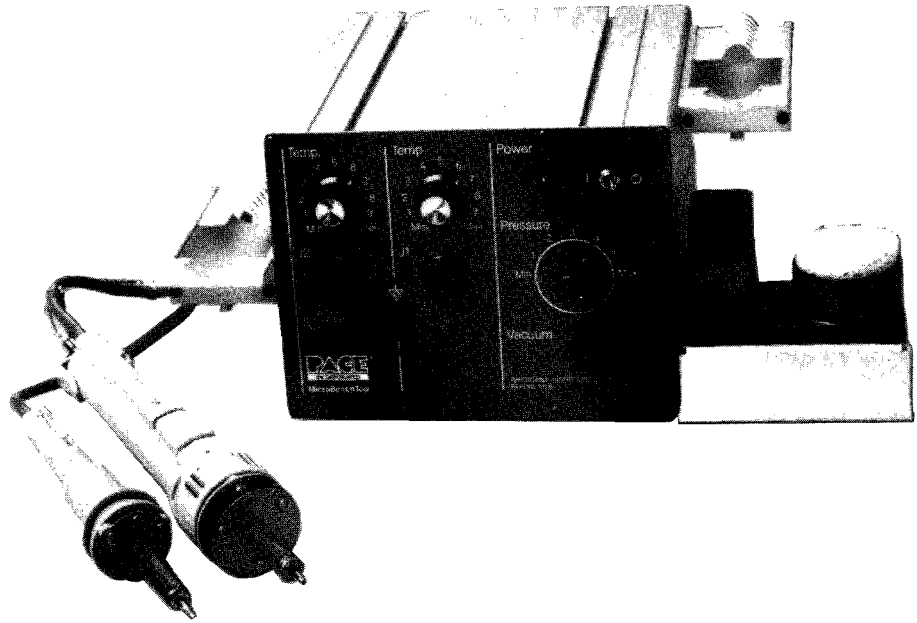
Item Description	Part Number	Unit Price
Super Tips		
.020 ID	1121-0213	\$18.75 pk./25
.030 ID	1121-0214	18.75 pk./25
.040 ID	1121-0215	18.75 pk./25
.050 ID	1121-0216	18.75 pk./25
.061 ID	1121-0217	18.75 pk./25
.095 ID	1121-0091	18.75 pk./25
Handpiece Assembly Parts		
Glass Chamber	1265-0009-P1	4.50
"S" Baffle	4010-0033	1.15
Sodr-X-Tractor® Filters		
Package of 10	1309-0018-P10	2.25 pk./10
Package of 50	1309-0018-P50	10.60 pk./50
Heater and Seal Assembly, 35W Dual Path®	6010-0034-P1	32.00
Set Screw	1348-0285-P10	6.85 pk./10
Line Cord Assembly	1332-0009-P1	18.75
Baffle and End Cap Assembly	4010-0071	11.95
Wire Brush	1127-0006-P5	9.75 pk./5
Bristle Brush	1127-0002-P5	9.00 pk./5
Front Seal	1213-0033	3.50
Rear Seal	1213-0001	3.75

SX-55 AND SX-40 SODR-X-TRACTOR® PARTS AND TIPS

Item Description	Part Number	Unit Price
Micro Tips		
.025 ID	1121-0253	\$ 7.50 pk./5
.036 ID	1121-0254	7.50 pk./5
.061 ID	1121-0255	7.50 pk./5
Handpiece Assembly Parts		
Glass Chamber	1265-0009-P1	4.50
"S" Baffle	4010-0033	1.15
Sodr-X-Tractor® Filters		
Package of 10	1309-0018-P10	2.25 pk./10
Package of 50	1309-0018-P50	10.60 pk./50
SX-55 Heater and Seal Assembly, 24 VAC	6010-0055-P1	38.00
SX-40 Heater and Seal Assembly, 12 VDC	6010-0038-P1	38.00
Set Screws	1348-0287-P10	6.85 pk./10
Baffle and End Cap Assembly (SX-55)	4010-0082	11.95
Baffle and End Cap Assembly (SX-40)	4010-0071	11.95
Wire Brush	1127-0006-02-P5	15.00 pk./5
Bristle Brush	1127-0002-P5	9.00 pk./5
Tip Tool	1100-0206	2.50
Heat Dissipator	1360-0005	5.35
VisiFilter® Assemblies and Filter Elements		
Fixed VisiFilter®	1309-0020	5.95
Replaceable VisiFilter®	1309-0028	8.95
Replaceable VisiFilter® Elements		
Package of 10	1309-0027-P10	7.25 pk./10
Package of 25	1309-0027-P25	15.50 pk./25
Package of 50	1309-0027-P50	25.60 pk./50
Soldering Iron Tips		
1/8" Chisel Tip	1121-0130-P5	21.95 pk./5
1/16" Chisel Tip	1121-0131-P5	21.95 pk./5
Needle Tip	1121-0132-P5	21.95 pk./5

ALL PRICES ARE IN ACCORDANCE WITH PACE'S TERMS AND CONDITIONS OF SALE.

MBT-200/ MBT-100



Model Number & Description	Part Number	Unit Price	Replacement Parts
MBT-200 Desoldering and Soldering System, Complete	8007-0094	\$540.00	
<i>Consisting of:</i>			
MBT-200 Power Source	7008-0154	(not sold separately)	See Pg. 6
SX-55 Sodr-X-Tractor®	6010-0054		See Pg. 27
Micro™ Soldering Iron	6025-0004		See Pg. 30
Hot Cubby	6019-0019		See Pg. 6
Cleaning Station	6021-0004		See Pg. 6
MBT-100 Desoldering System, Complete	8007-0093	425.00	
<i>Consisting of:</i>			
MBT-100 Power Source	7008-0153	(not sold separately)	See Pg. 6
SX-55 Sodr-X-Tractor®	6010-0054		See Pg. 27
Hot Cubby	6019-0019		See Pg. 6

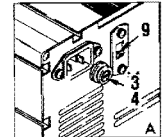
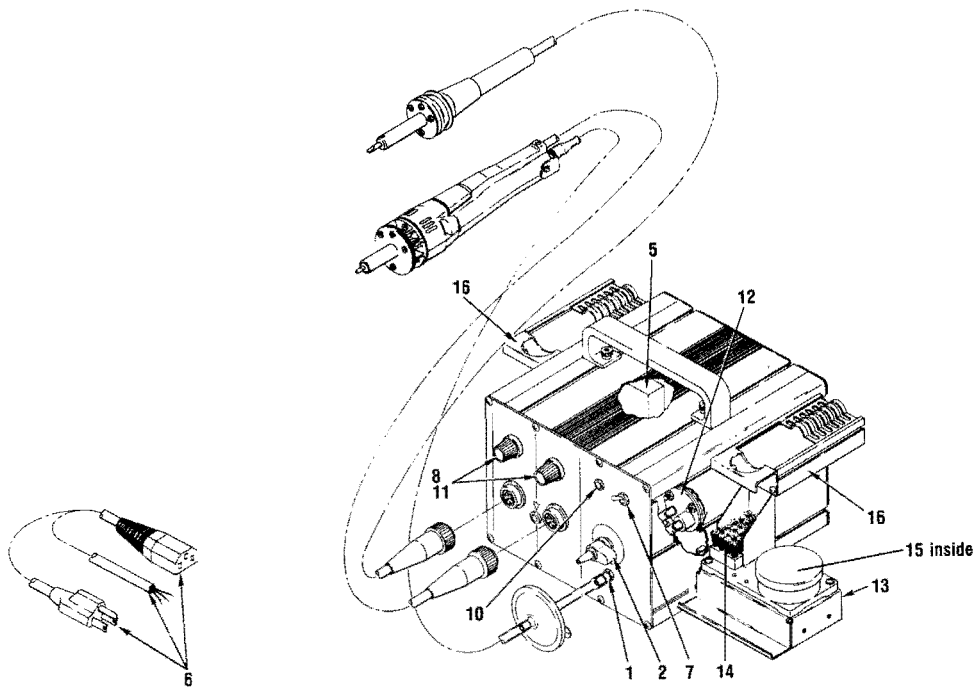
OPTIONAL ITEMS FOR MBT-200 AND MBT-100

Item Description	Part Number	Unit Price	Replacement Parts
Cir-Kit® Master Version	6993-0082	\$149.00	See Pg. 35
Cir-Kit® Advanced Version	6993-0077	79.00	See Pg. 35
Cir-Kit® Basic Version	6993-0037	45.00	See Pg. 35
POL-15 Optical Lighting System	7007-0004	325.00	See Pg. 38
WP-6 Work Handling Unit	7015-0009	250.00	See Pg. 38
POL-12 Optical Lighting Fixture	7007-0006	300.00	See Pg. 38
Soldering Handbook	5050-0082	6.50	
Rework and Repair Handbook	6031-2100	15.75	
Carrying Handle for MBT, with fasteners	6993-0094	7.95	

ALL PRICES ARE IN ACCORDANCE WITH PACE'S TERMS AND CONDITIONS OF SALE.

MBT-200/100

SPARE PARTS



Item Number	Item Description	Part Number	Unit Price
1	Vacuum Valve Stem	1263-0021	\$ 1.95
2	Air Flow Control Valve Assembly	1285-0033	12.00
3	Fuseholder	1161-0008	3.95
4	Fuse, 1.6 AMP, SloBlo	1159-0235-P5	6.50 pk./5
5	Transformer	1192-0050	58.00
6	Line Cord	1332-0094	8.95
7	Switch, ON-OFF Power (MBT-200 and MBT-100)	1157-0040	7.50
8	AC Var. Voltage Control	1179-0133	4.75
9	Voltage Selector Switch, Rear Panel	1157-0041	9.75
10	LED	1183-0026	6.25
11	Knob	1222-0006	2.75
12	Motor Pump Assembly	6008-0101	150.00
(not shown)	Carbon Vanes	1800-0003-P4	12.00 pk./4
(not shown)	Fan	1500-0003	1.50
(not shown)	Wear Plate, Port	1338-0044	3.95
(not shown)	Wear Plate, Motor	1338-0045	3.95
13	Cleaning Station Assembly (MBT-100/200/10/5)	6021-0004	18.95
14	Wire Brush	1127-0012	4.95
15	Sponge	4021-0001-P5	6.25 pk./5
(not shown)	Hardware Mounting Kit	6993-0086	9.95
16	Hot Cubby (right side)	6019-0019-01	17.50
16	Hot Cubby (left side)	6019-0019-02	17.50
(not shown)	Accessory Kit (MBT-200)	7900-0003	29.95
(not shown)	Accessory Kit (MBT-100)	7900-0002	19.95

ALL PRICES ARE IN ACCORDANCE WITH PACE'S TERMS AND CONDITIONS OF SALE.

MBT-10/ MBT-5



Model Number & Description	Part Number	Unit Price	Replacement Parts
MBT-10 Desoldering and Soldering Station (Air-Operated), Complete	8007-0115	\$495.00	
<i>Consisting of:</i>			
MBT-10 Power Source		(not sold separately)	See Pg. 6
SX-55 Sodr-X-Tractor®	6010-0054		See Pg. 27
Micro™ Soldering Iron	6025-0004		See Pg. 30
Hot Cubby	6019-0019		See Pg. 6
Cleaning Station	6021-0004		See Pg. 6
MBT-5 Desoldering Station (Air-Operated), Complete	8007-0108	395.00	
<i>Consisting of:</i>			
MBT-5 Power Source		(not sold separately)	See Pg. 6
SX-55 Sodr-X-Tractor®	6010-0054		See Pg. 27
Hot Cubby	6019-0019		See Pg. 6

OPTIONAL ITEMS FOR MBT-10 AND MBT-5

Item Description	Part Number	Unit Price	Replacement Parts
Cir-Kit® Master Version	6993-0082	\$149.00	See Pg. 35
Cir-Kit® Advanced Version	6993-0077	79.00	See Pg. 35
Cir-Kit® Basic Version	6993-0037	45.00	See Pg. 35
POL-15 Optical Lighting System	7007-0004	325.00	See Pg. 38
WP-6 Work Handling Unit	7015-0009	250.00	See Pg. 38
Soldering Handbook	5050-0082	6.50	
Rework and Repair Handbook	6031-2100	15.75	

ALL PRICES ARE IN ACCORDANCE WITH PACE'S TERMS AND CONDITIONS OF SALE.